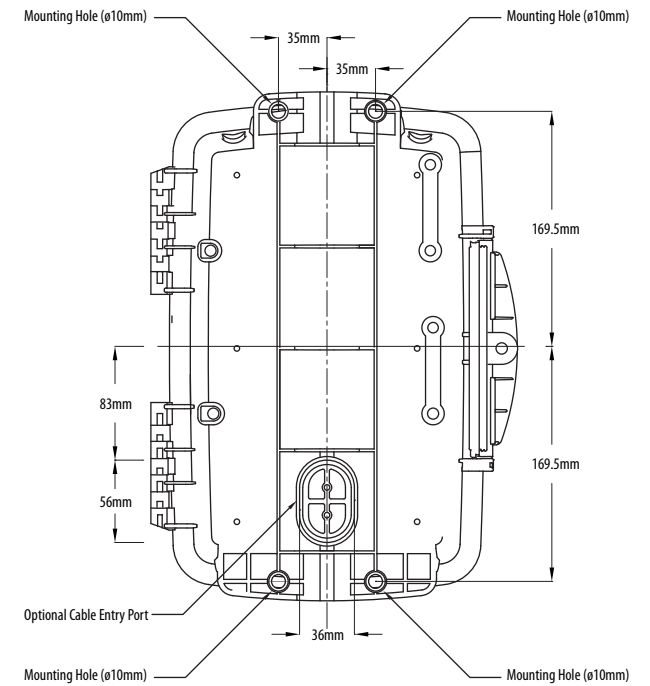
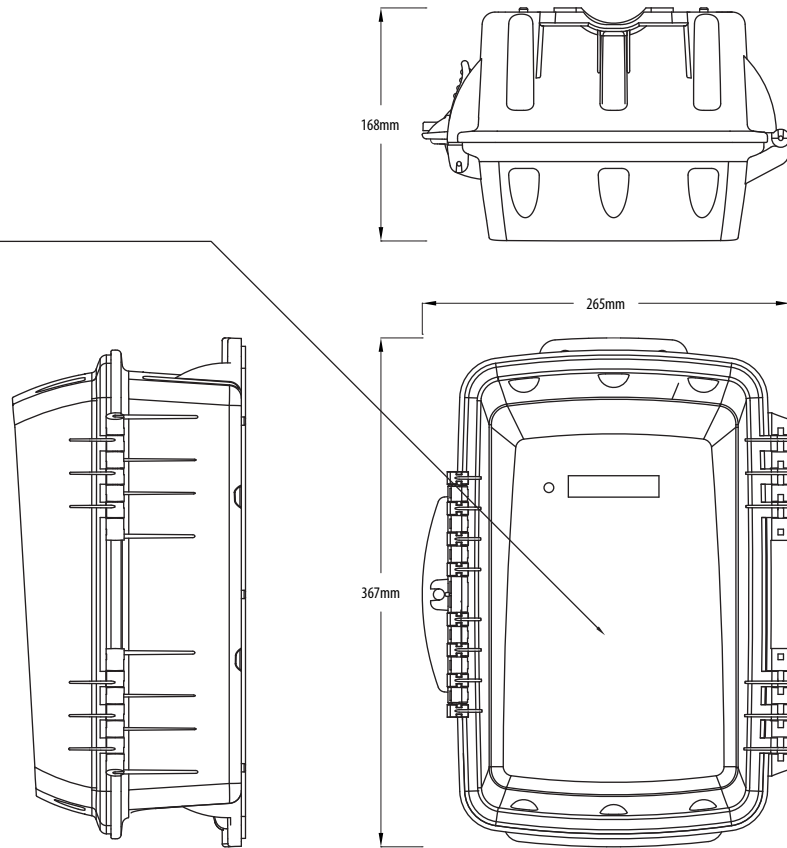


MACE HYDROMACE XCI DEVICE

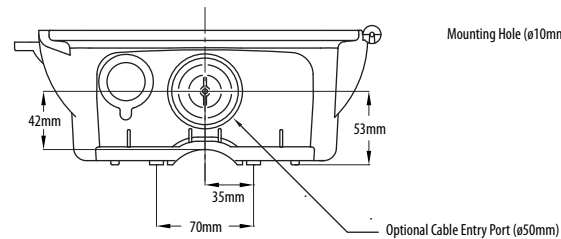
UV Stabilised Polycarbonate Enclosure Housing the Remote Transmitter

PART No. 825-335 Rev. 1.0

UV Stabilised Decal With Membrane Switches



NOTE: Door Not Shown



Part No.	Description
850-367	MACE FloSeries3 - HydroMace XCI

Measuring & Control Equipment (MACE) Pty Ltd

P.O. Box 911, Pennant Hills, NSW 1715, Australia
 Ph: +61 (0)2 9658 1234 Fax: +61 (0)2 9651 7989
 Email: sales@macemeters.com www.macemeters.com

Mace USA LLC

PO Box 7144, Overland Park, KS 66207, United States of America
 Ph: 888 440 4215 Fax: 888 440 6999
 Email: sales@maceusa.com www.maceusa.com

