

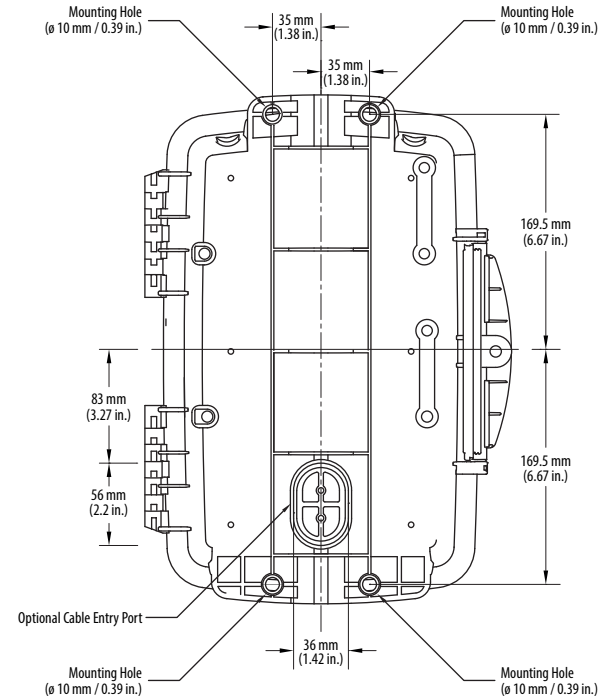
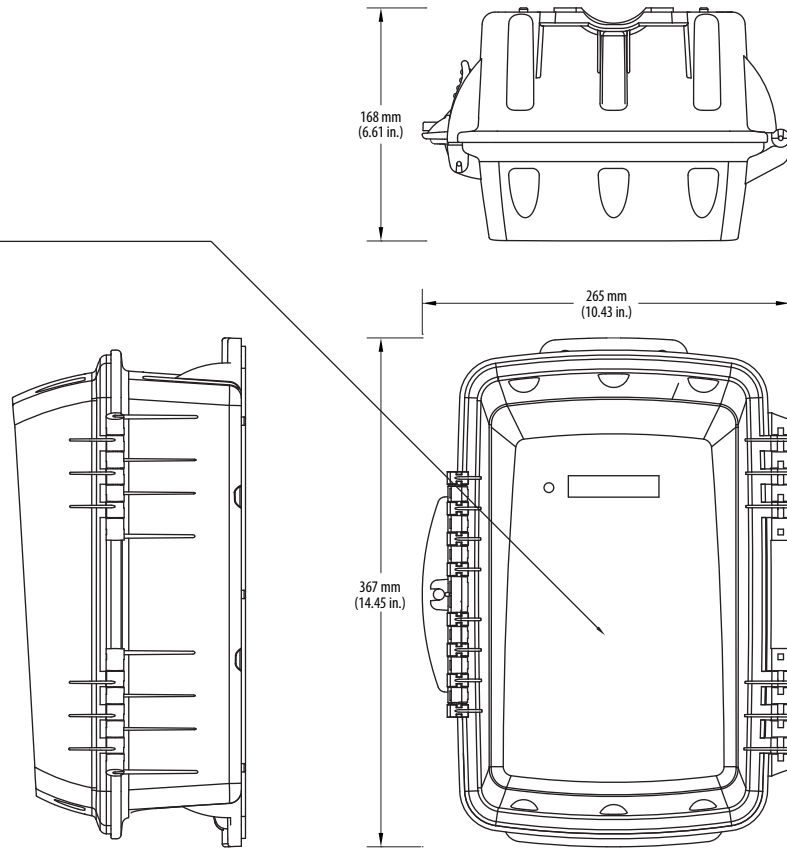
# MACE FLOPRO XCI DEVICE

UV Stabilised Polycarbonate Enclosure Housing the Remote Transmitter

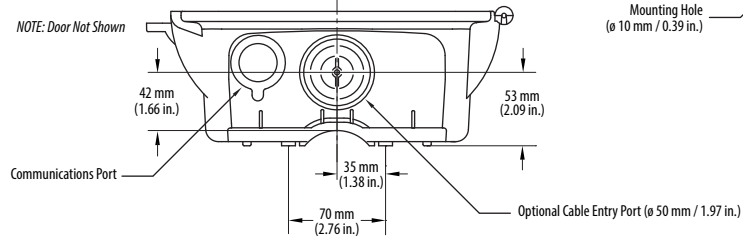
DOCUMENT

PART No. 825-333 Rev. 1.2

UV Stabilised Decal With Membrane Switches



NOTE: Door Not Shown



Part No.	Description
850-366	MACE FloSeries3 - FloPro XCI

[www.macemeters.com](http://www.macemeters.com)

**MACE - Australia**  
 Unit 19 / 276 New Line Road, Dural  
 Sydney, NSW 2158, Australia  
 Phone: +61 2 9658 1234  
 Email: [sales@macemeters.com](mailto:sales@macemeters.com)

**MACE - United States of America**  
 In-Situ Inc. 221 East Lincoln Avenue  
 Fort Collins, CO 80524, USA  
 Phone: 1-800-446-7488 Phone (Int.): +1-970-498-1500  
 Email: [sales@in-situ.com](mailto:sales@in-situ.com)

